



VG series

Gauge Valves

Gauge Root Valves

Features

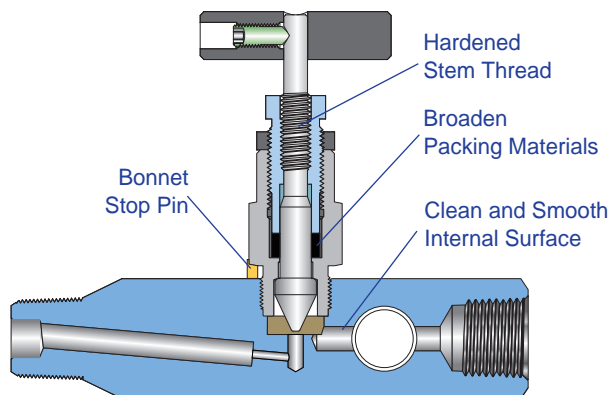
Pressure rating up to 6000psig (413bar) @38°C (100°F)

Temperature rating from -53°C(-65°F) to 232°C (450°F) with standard PTFE packing, up to 648°C(1200°F) with Grafoil packing

Hardened stem threads and one piece of bar stock body for long cycle life

Bonnet stop pin prevents accidental handle back-out

Multiple outlets for accommodation of a variety of gauge positions



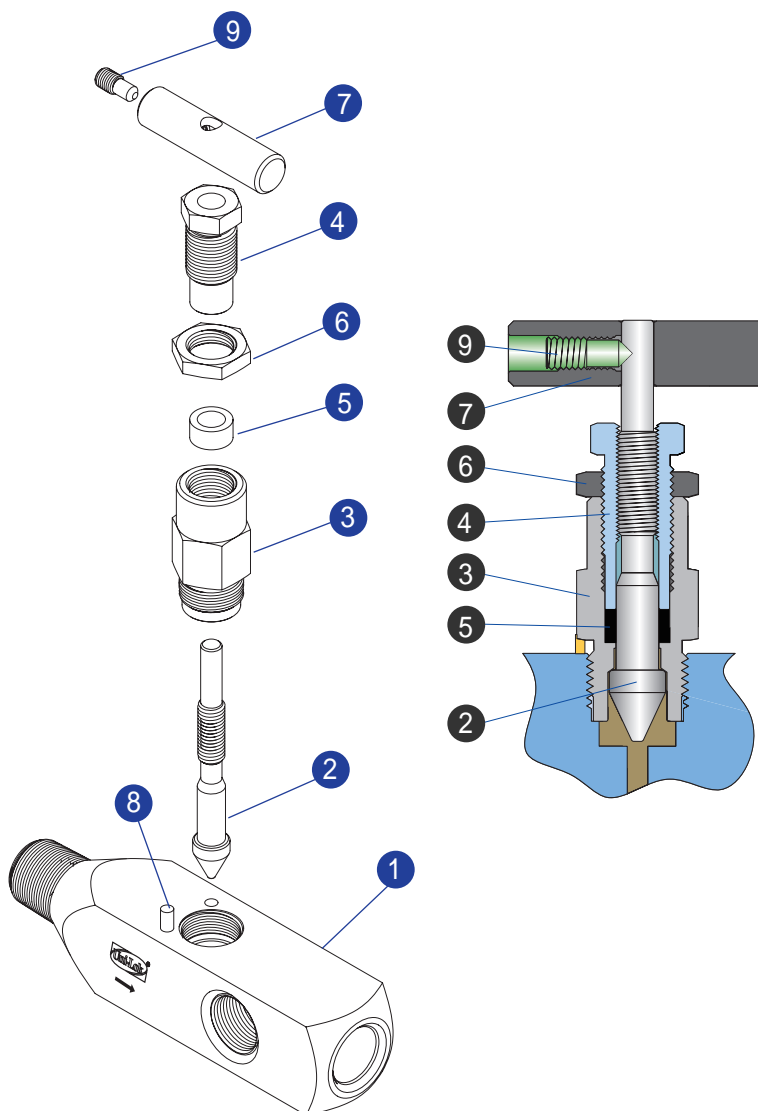
Application

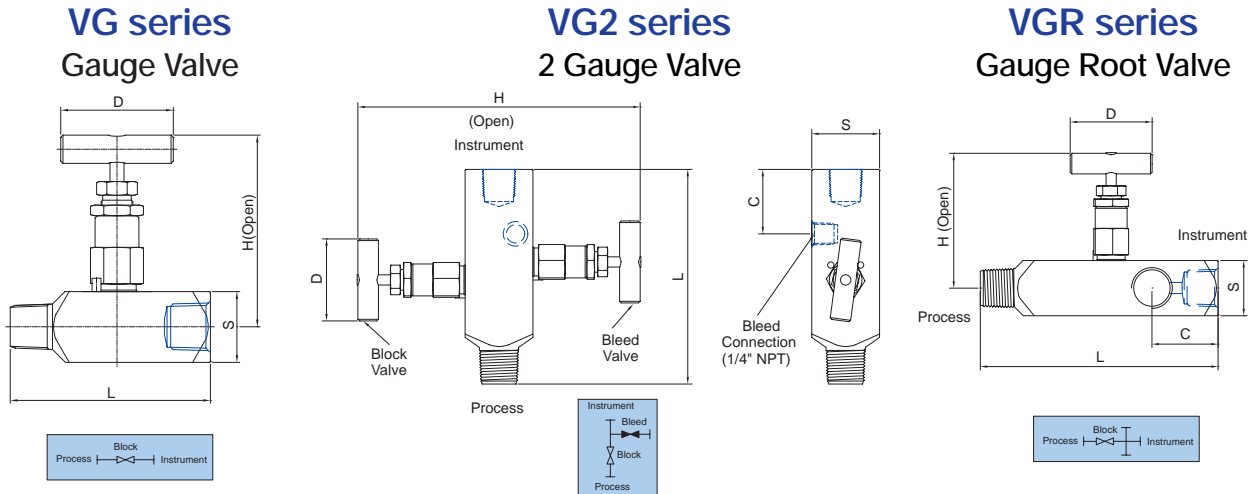
A safe and economical method of installing pressure switches, gauges and differential transmitters

Block and bleed for purge valve, sampling line and test pressure source

Materials of Construction

No.	Description	Materials
1	Body	316SS
2	Stem	316SS
3	Bonnet	316SS
4	Spindle Bushing	316SS
5	Packing	PTFE
6	Jam Nut	316SS
7	Bar Handle	304SS
8	Stop Pin	304SS
9	Set Screw	304SS





Ordering Information & Dimensions

Part Number	End Connection		Dimensions (mm)				
	Inlet	Outlet	L	C	S	H	D
VG	MF-08N-SS	1/2" Male NPT	90.0	36.2	32.0	87.0	50.6
	MF-12N08N-SS	3/4" Male NPT					
VG2	MF-08N-SS	1/2" Male NPT	178.0	38.1	32.0	180	
	MF-12N08N-SS	3/4" Male NPT					
VGR	MF-08N-SS	1/2" Male NPT	137.0	38.1	32.0	87.0	
	MF-12N08N-SS	3/4" Male NPT					
VGRE	MF-08N-SS	1/2" Male NPT	184.0	38.1	32.0	87.0	
	MF-12N08N-SS	3/4" Male NPT					

VGRE - Extended body gauge root valve. L is only longer than VGR series.
 Grafoil packing is available as option. To order, add-GF to the end of part number.
 Alloy 400/Monel is available upon request. But, it is not applicable 260°C (500°F).

Sour Environment Services

Uni-Lok valves are comply with NACE MR-0175/ISO 115156 for sour oilfield application or NACE MR-0103 for petroleum refining operations.
 To order, add - N to the end of part number.

Cleaning

Uni-Lok valves are free from machine oils, loose particles and grease throughout the close cleaning process.

Testing

Every valve is 100% factory tested with air and nitrogen at 1000psig(69bar) for leakage at the seat and packing. Each test is performed to a maximum allowable leak rate of 0.1scc/min.

Important Notification

Proper installation, materials compatibility, operation and maintenance of these valves are the responsibility of the user. The total system design must be taken into consideration to ensure optimal performance and safety.

The packing adjustment may be required during the valve's service life.



CONNECTS THE WORLD SINCE 1984 www.unilok.com

본사 및 제1공장
 인천광역시 남동구 고잔동 725-13번지
 남동공단 152블럭 12롯데 ☎ 405-822
 전화 : 032-822-6600
 팩스 : 032-822-6604

제2공장
 인천광역시 남동구 고잔동 684-7번지
 남동공단 114블럭 8롯데 ☎ 405-818
 전화 : 032-433-6601
 팩스 : 032-441-7600

Headquarters & 1st Factory
 152 Block-12 Lot, Namdong Indus-Park, 725-13,
 Gojan-Dong, Namdong-Gu, Incheon, Korea
 Tel : +82-32-821-6673
 Fax : +82-32-822-6604

2nd Factory
 114 Block-8 Lot, Namdong Indus-Park, 684-7,
 Gojan-Dong, Namdong-Gu, Incheon, Korea
 Tel : +82-32-433-6601
 Fax : +82-32-441-7600